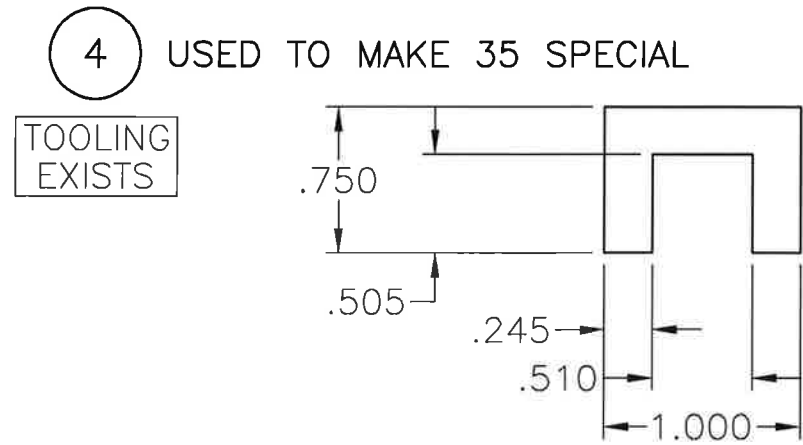
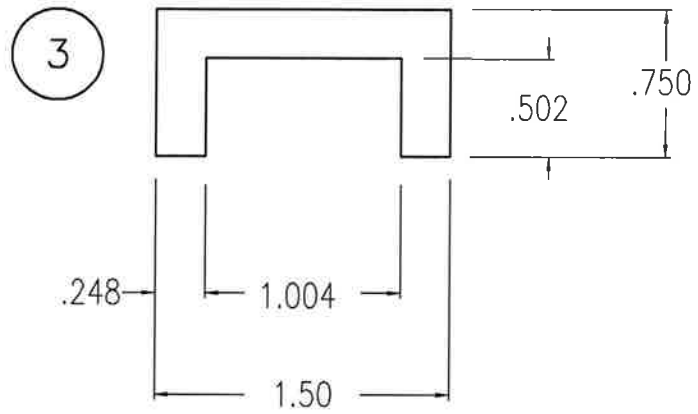
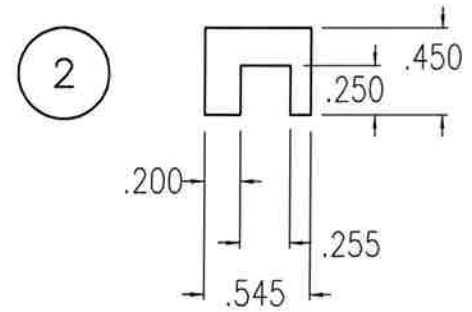
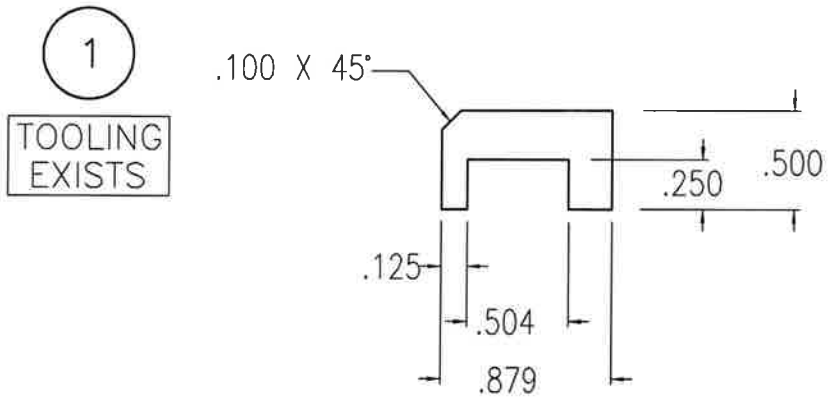


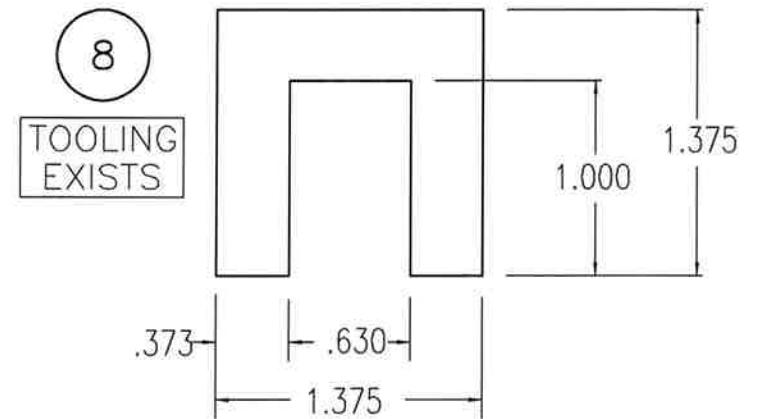
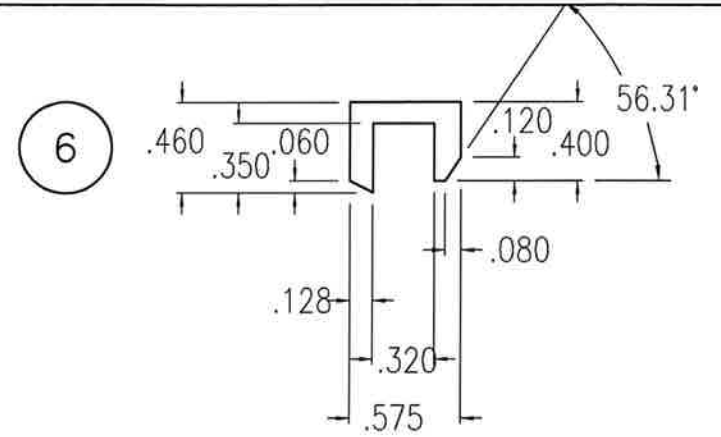
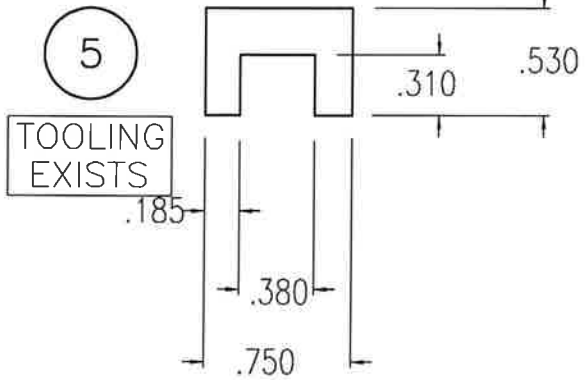
ALPHA1 D-0219-059

LAMINATION
BOOK

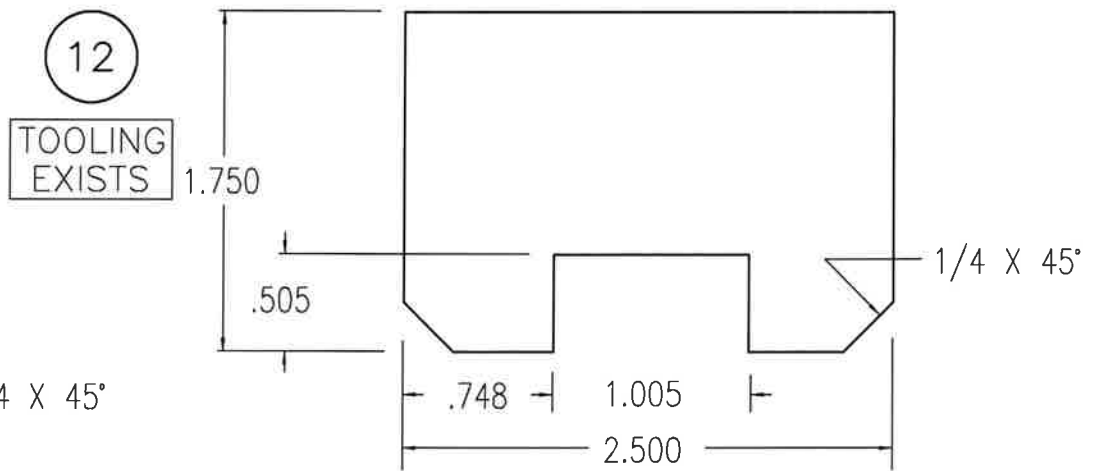
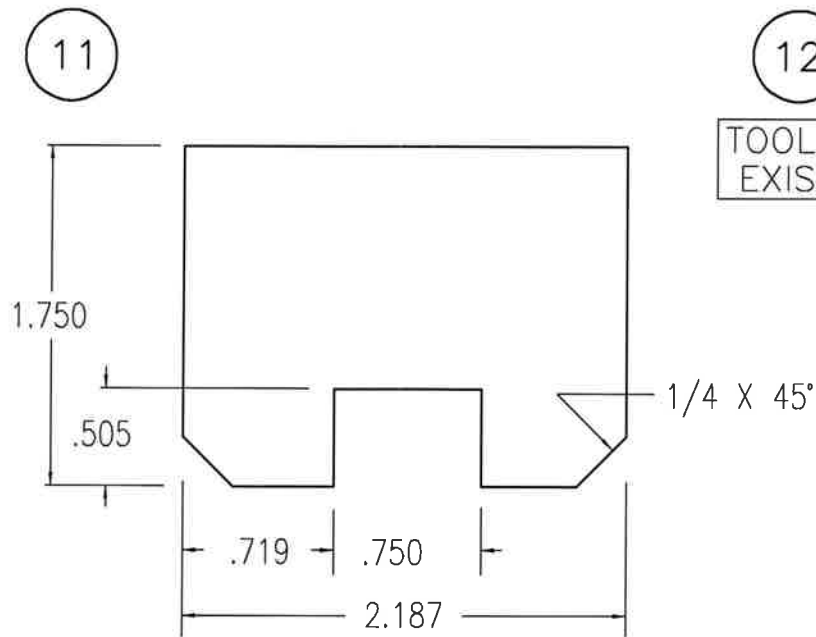
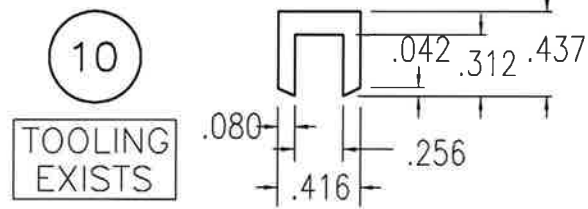
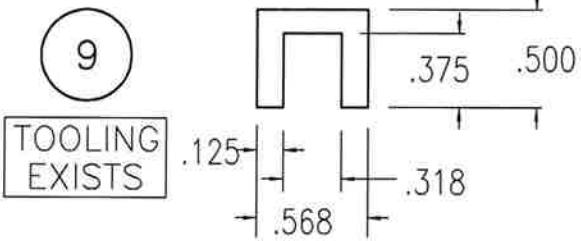
REV - 2006-11-13



ALPHA 1	
INDUCTION SERVICE CENTER	
MAGNESIL-0 - GRAIN-ORIENTED C-S COATED ELECT STL	
DR BY MINGUS	DATE 1997MAY05
LAMINATION BOOK	
DRAWING NUMBER D-0219-059	PG 01



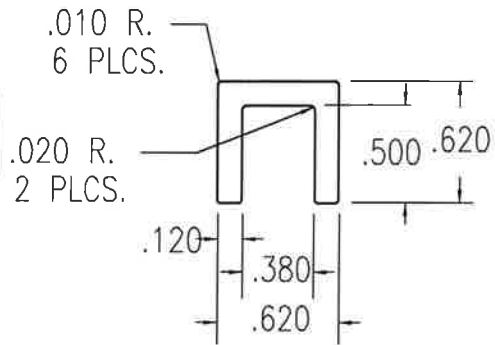
ALPHA 1	
INDUCTION SERVICE CENTER	
MAGNESIL-O - GRAIN-ORIENTED C-S COATED ELECT STL	
DR BY MINGUS	DATE 1997MAY05
LAMINATION BOOK	
DRAWING NUMBER D-0219-059	PG 02



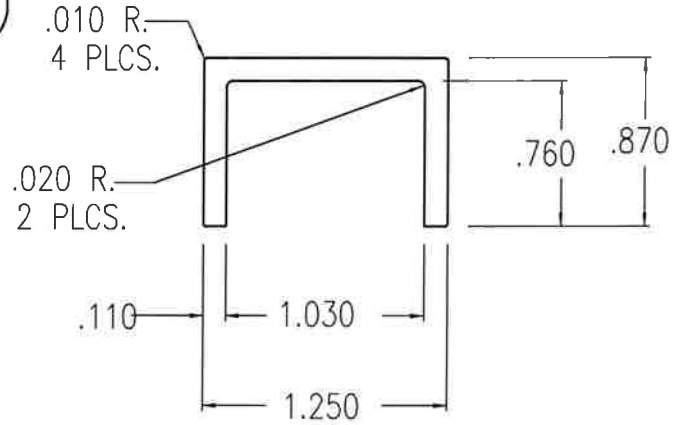
ALPHA 1	
(INDUCTION SERVICE CENTER)	
MAGNESIL-O - GRAM-ORIENTED C-S COATED ELECT STL	
DR BY MINGUS	DATE 1997MAY05
LAMINATION BOOK	
DRAWING NUMBER D-0219-059	PG 03

13

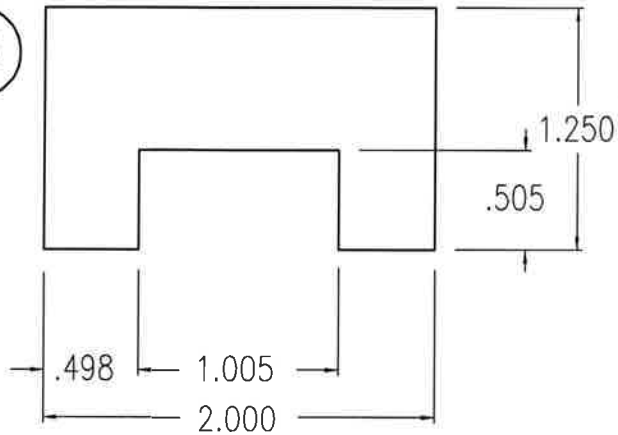
TOOLING EXISTS



14

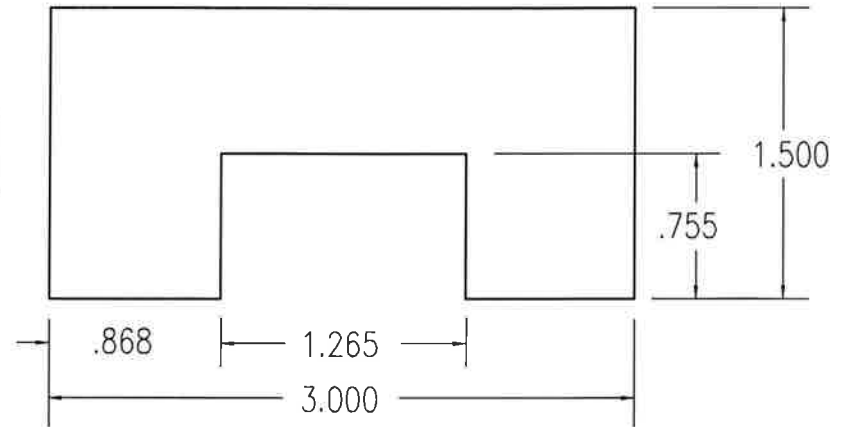


15



16

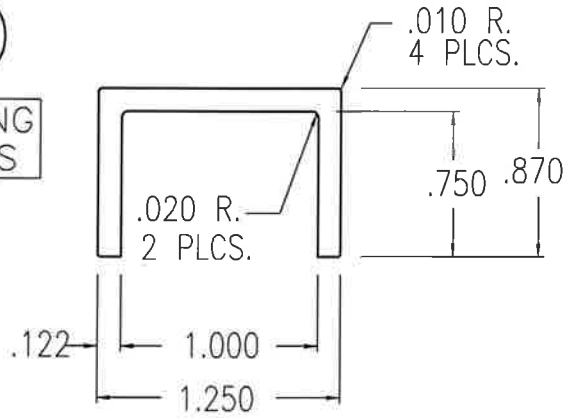
TOOLING EXISTS



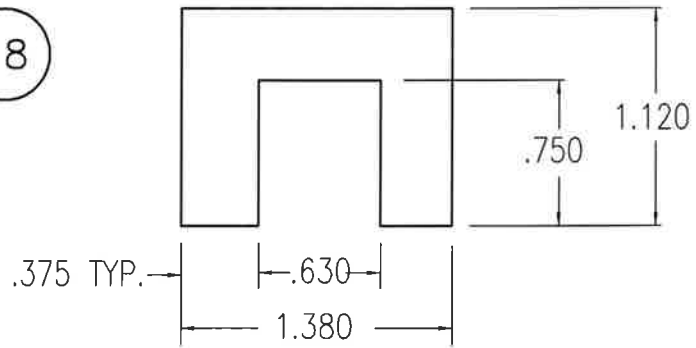
ALPHA 1	
INDUCTION SERVICE CENTER	
MAGNESIL-0 - GRAIN-ORIENTED C-5 COATED ELECT STL	
DR BY MINGUS	DATE 1997MAY20
LAMINATION BOOK	
DRAWING NUMBER D-0219-059	PG 04

17

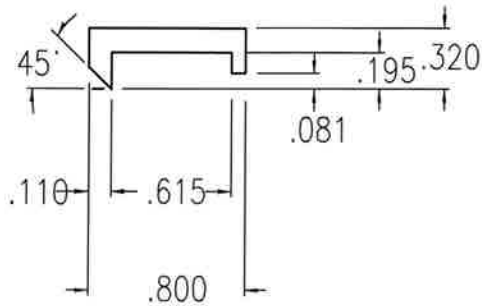
TOOLING EXISTS



18

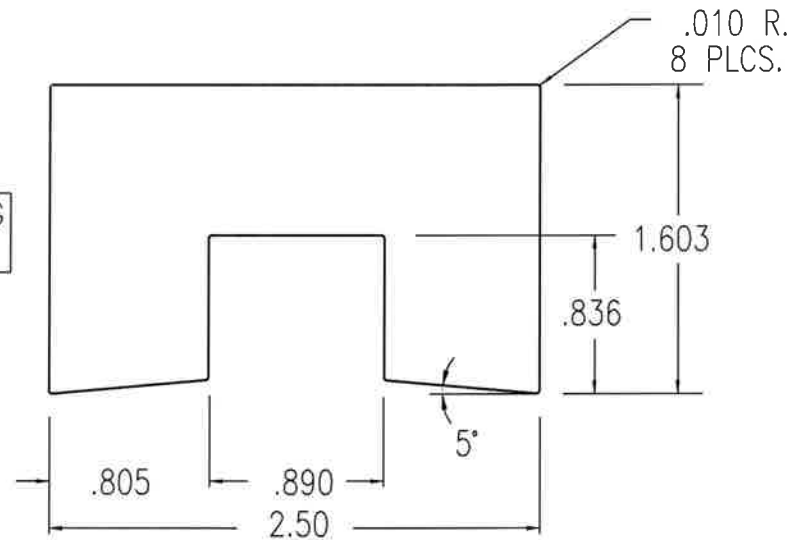


19



20

TOOLING EXISTS



ALPHA 1
INDUCTION SERVICE CENTER

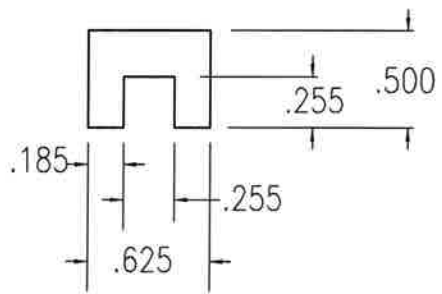
MAGNESIL-0 - GRAIN-ORIENTED C-5 COATED ELECT STL

DR BY MINGUS DATE 1997MAY20

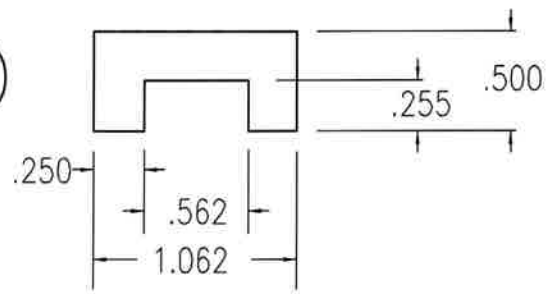
LAMINATION BOOK

DRAWING NUMBER D-0219-059 PG 05

21

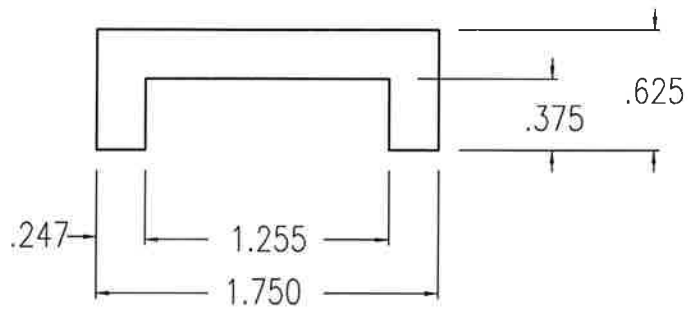


22



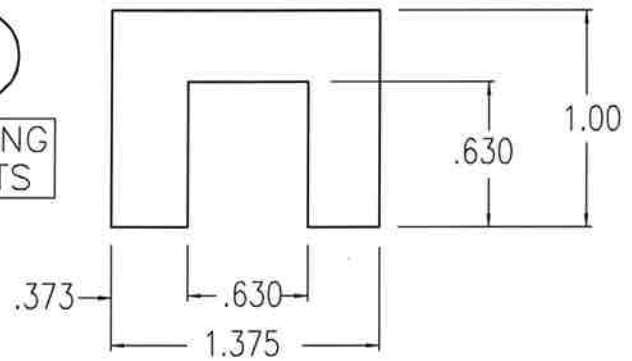
23

TOOLING EXISTS

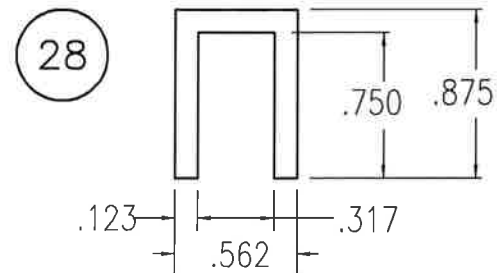
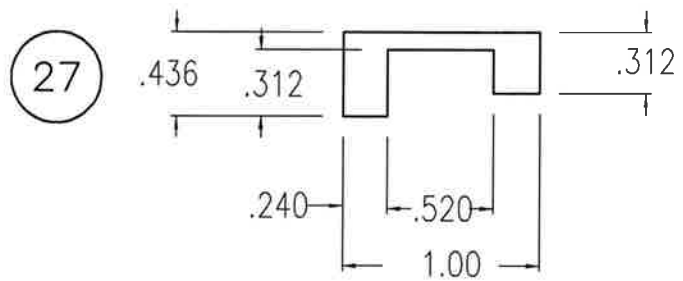
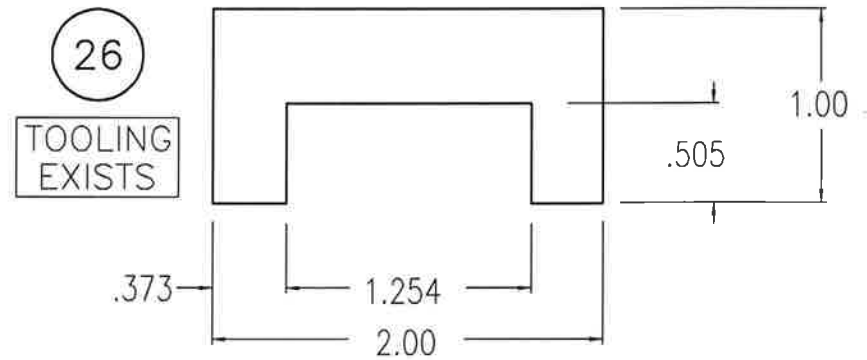
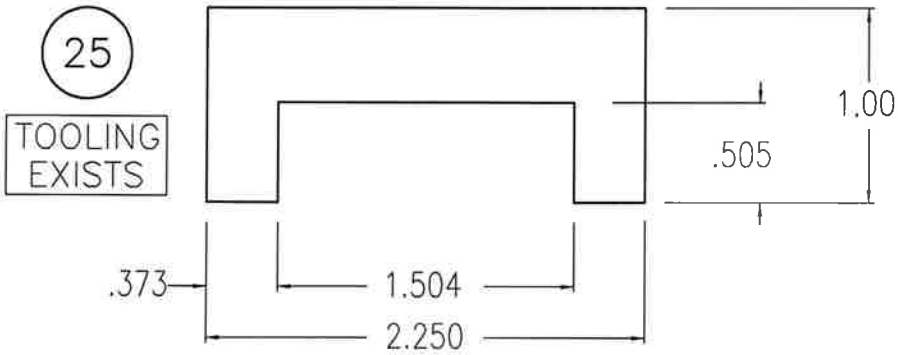


24

TOOLING EXISTS

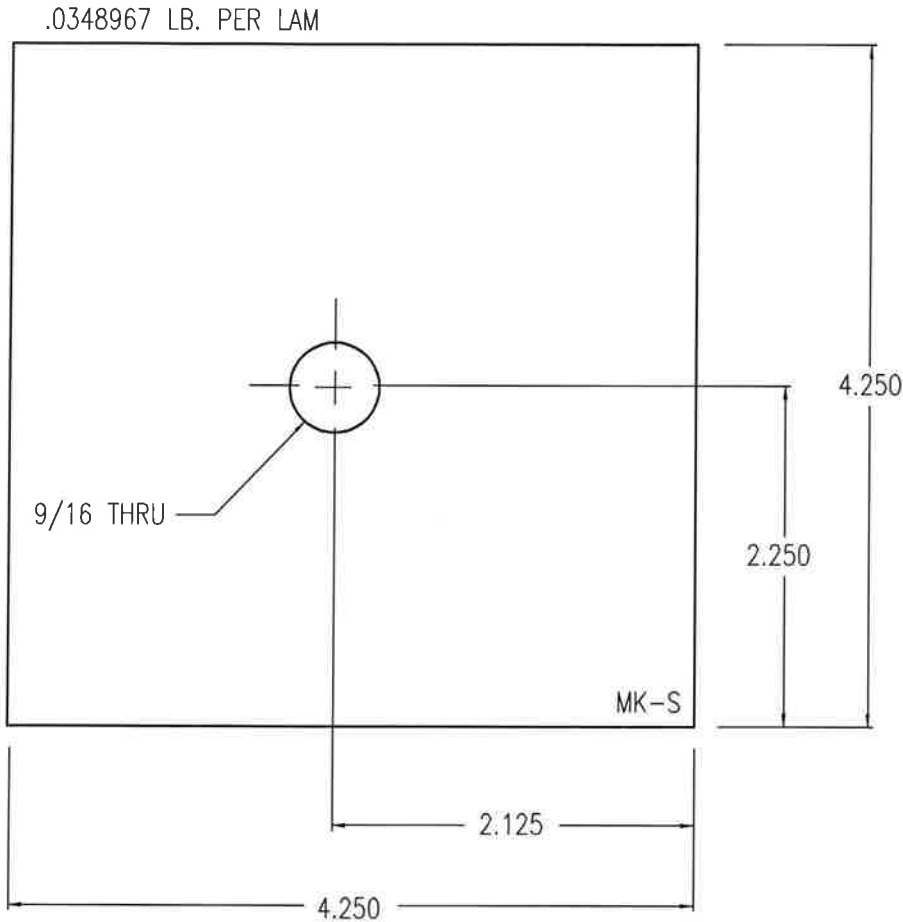


ALPHA 1	
INDUCTION SERVICE CENTER	
MAGNESIL-0 - GRAIN-ORIENTED C-5 COATED ELECT. STL.	
DR. BY MINGUS	DATE 1997MAY20
LAMINATION BOOK	
DRAWING NUMBER D-0219-059	PG 06

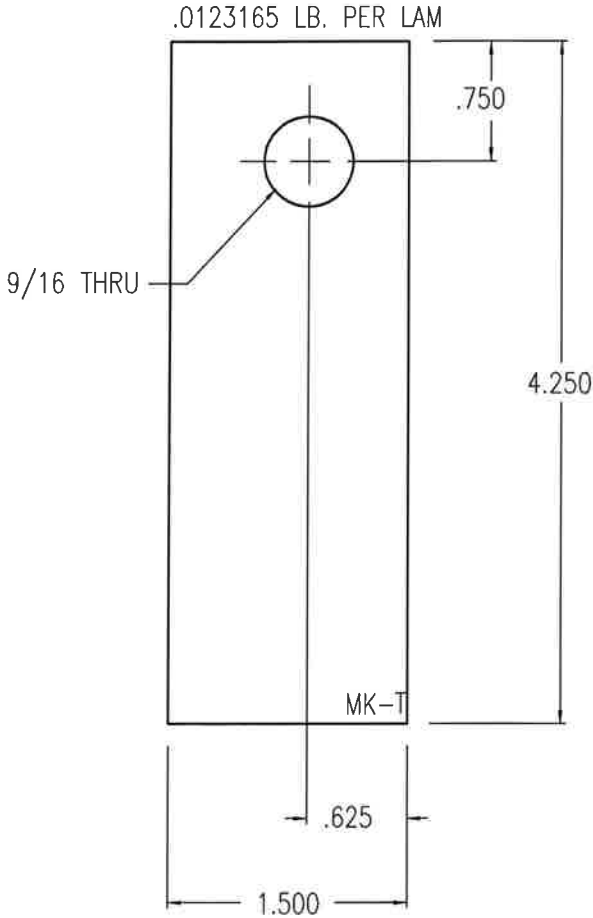


ALPHA 1	
INDUCTION SERVICE CENTER	
MAGNESIL-0 - GRAM-ORIENTED C-5 COATED ELECT STL.	
DR BY MINGUS	DATE 1997MAY20
LAMINATION BOOK	
DRAWING NUMBER D-0219-059	PG 07

29



30



ALPHA 1
 INDUCTION SERVICE CENTER

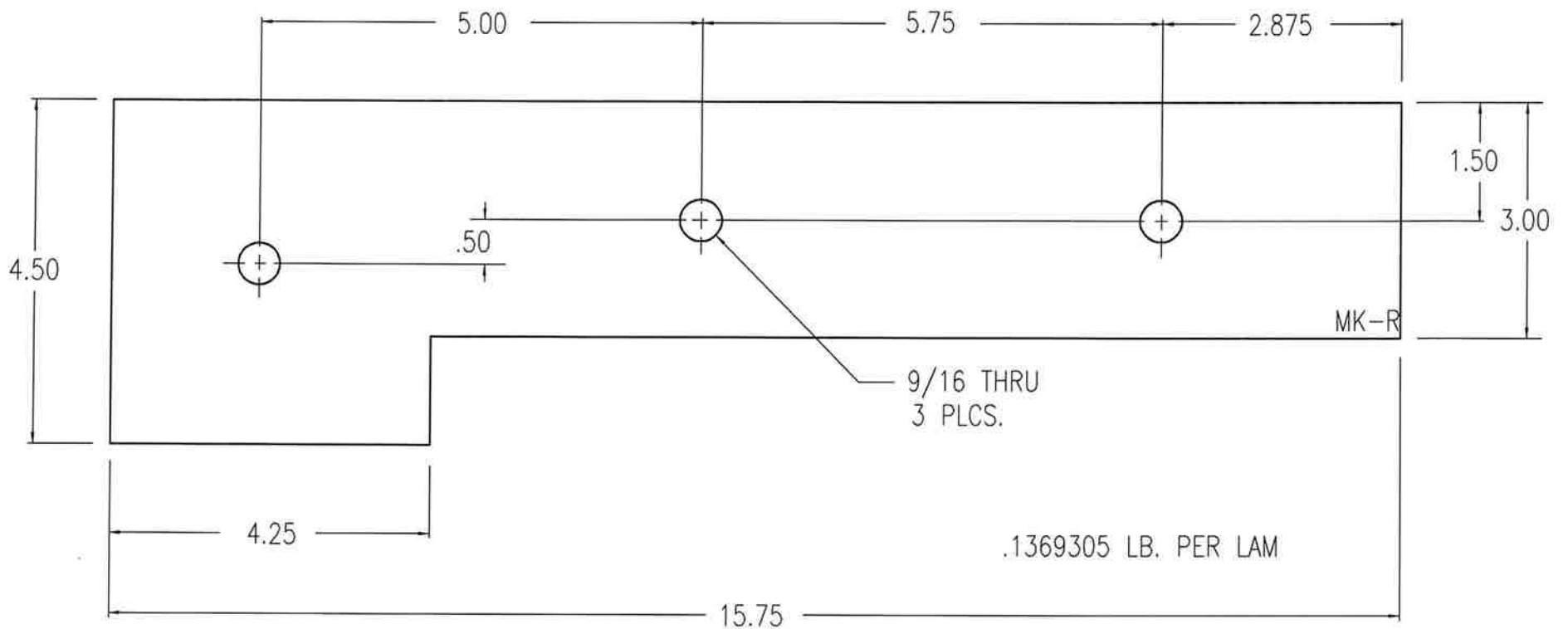
MAGNESIL-O - GRAM-ORIENTED C-5 COATED ELECT STL

DR BY MINGUS DATE 1997MAY20

LAMINATION BOOK

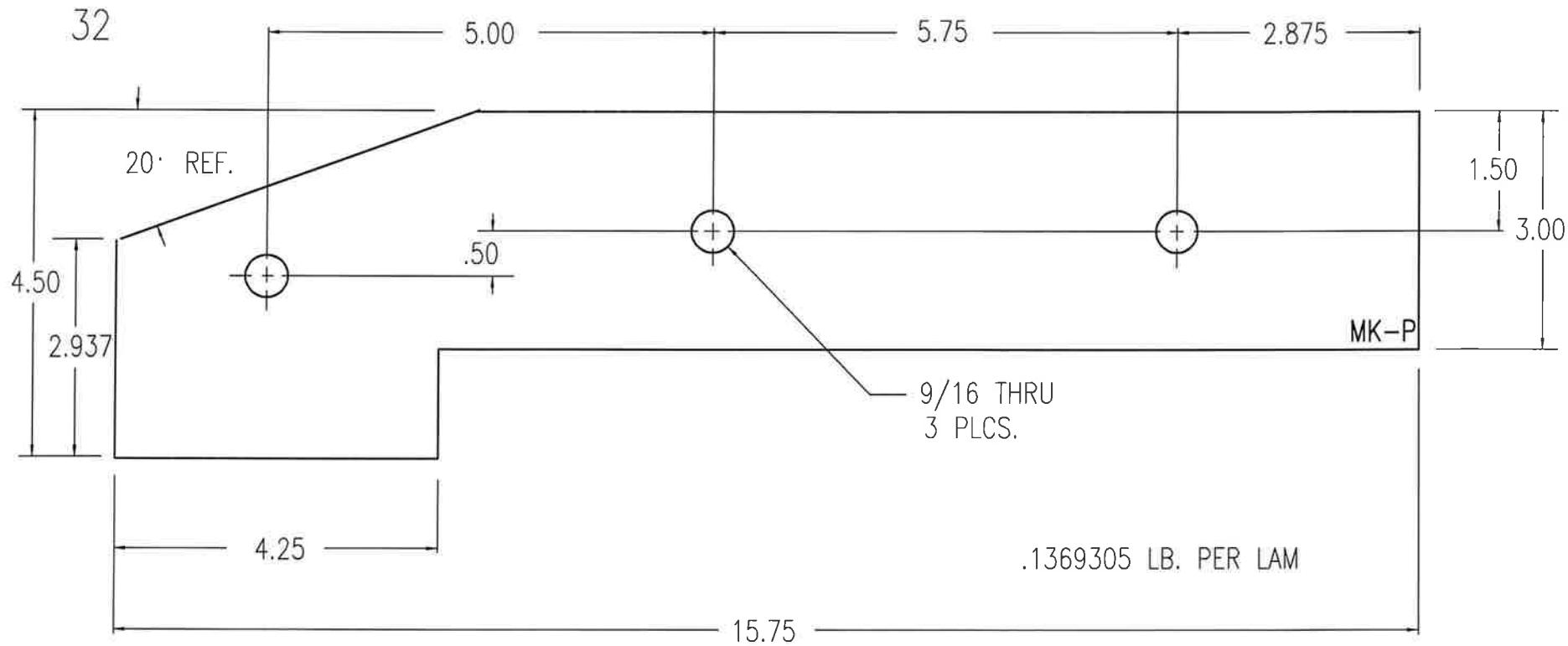
DRAWING NUMBER D-0219-059 PG 08

31



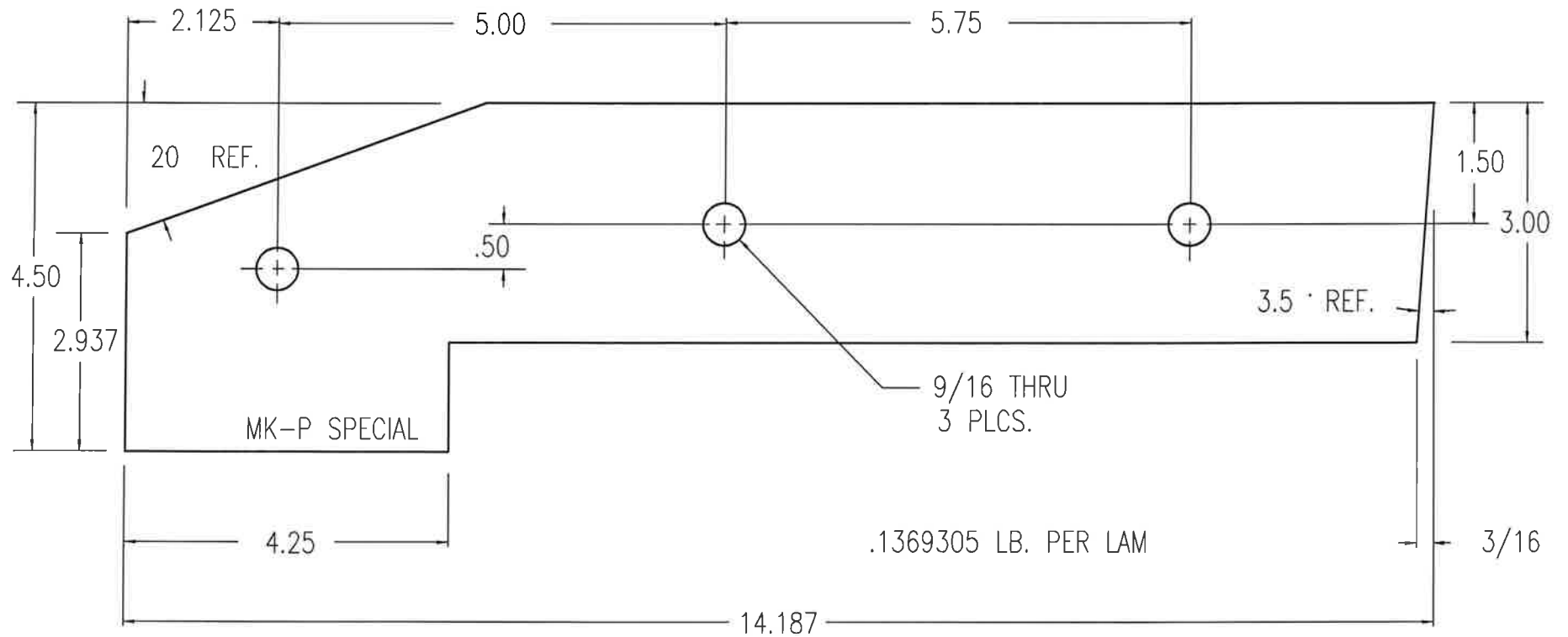
ALPHA 1 INDUCTION SERVICE CENTER	
MAGNESIL-0 - GRAIN-ORIENTED C-5 COATED ELECT STL	
DR BY MINGUS	DATE 1997MAY20
LAMINATION BOOK	
DRAWING NUMBER D-0219-059	PG 09

32



ALPHA 1	
INDUCTION SERVICE CENTER	
MAGNESIL-0 - GRAM-ORIENTED C-5 COATED ELECT STL	
DR BY MINGUS	DATE 1997MAY20
LAMINATION BOOK	
DRAWING NUMBER D-0219-059	PG 10

33



ALPHA 1 INDUCTION SERVICE CENTER	
MAGNESIL-O - GRAIN-ORIENTED C-5 COATED ELECT STL	
DR BY MINGUS	DATE 1997MAY20
LAMINATION BOOK	
DRAWING NUMBER D-0219-059	PG 11